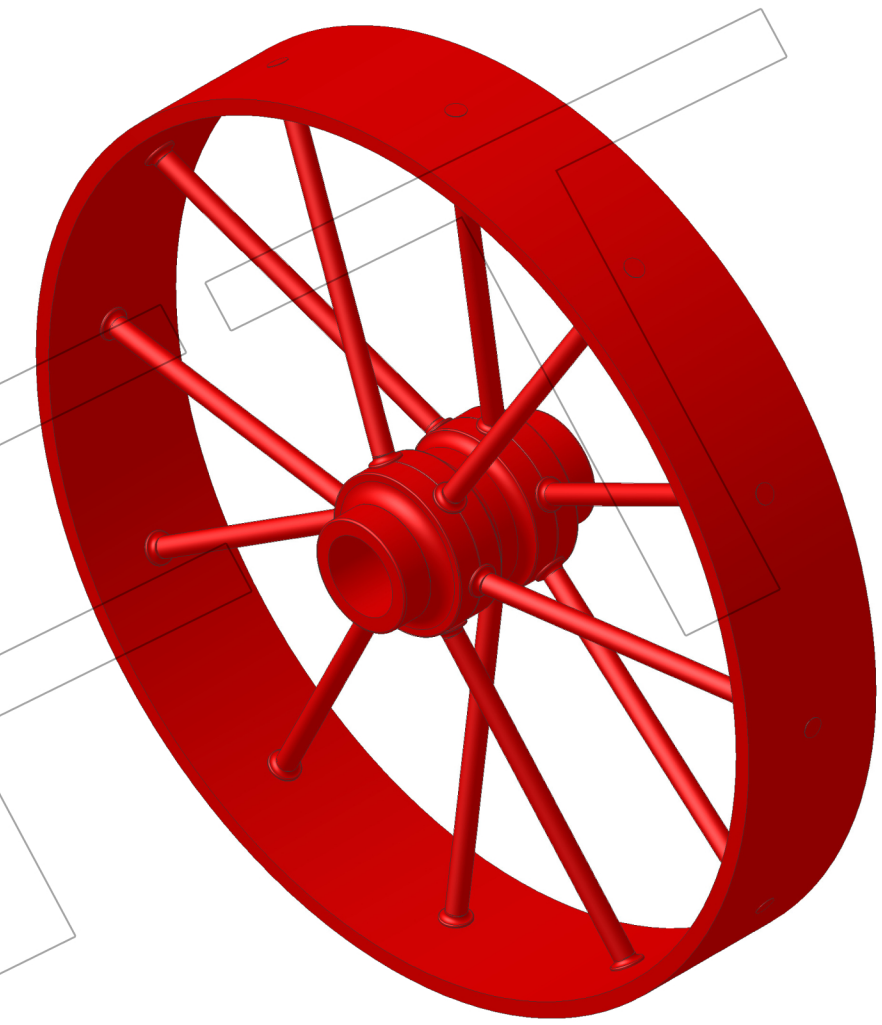
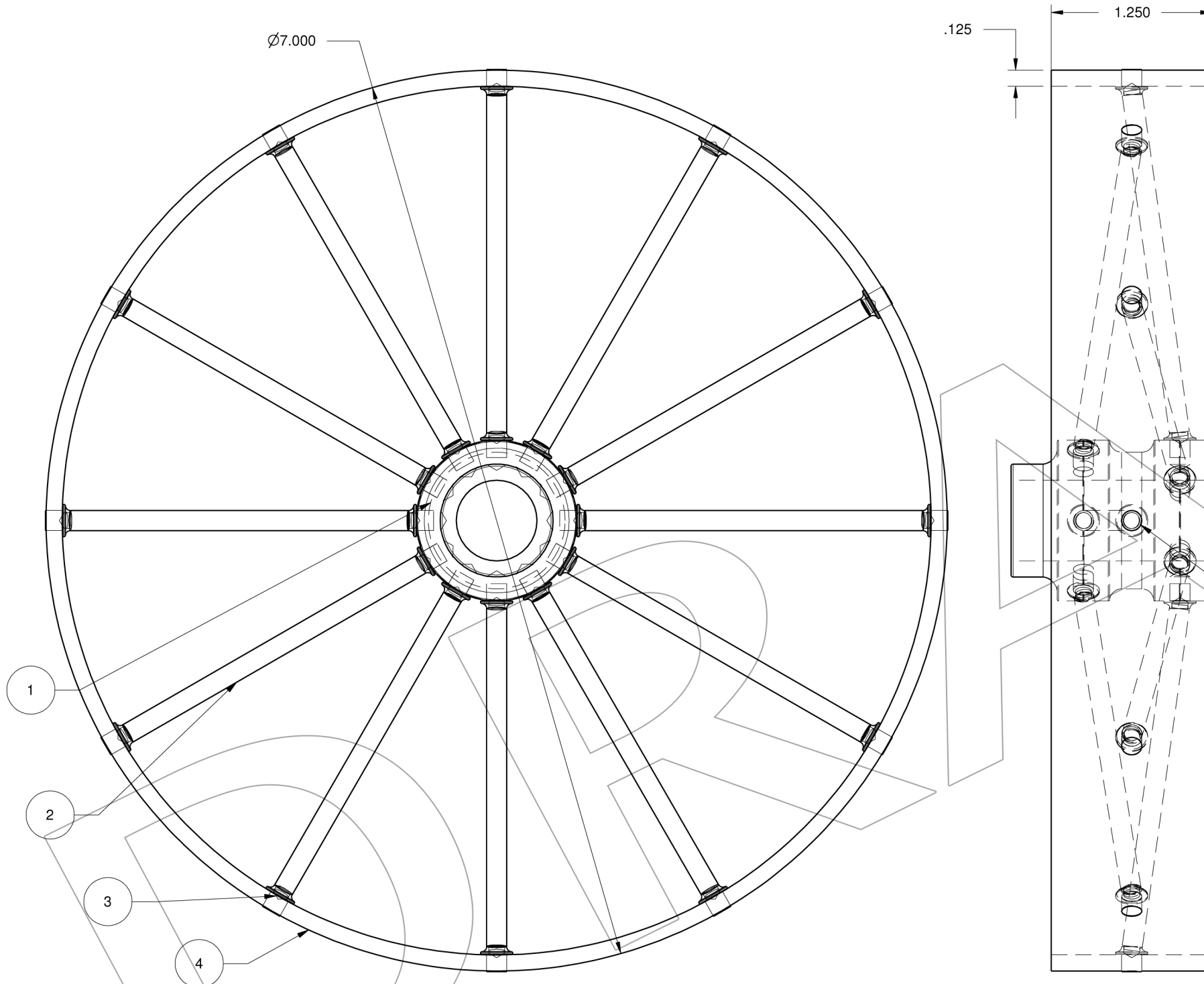


Notes:
 Wheel rim is rolled and welded HRS
 Wheel assembly is silver soldered construction



Drill .156" Thru 12 Places evenly spaced on rim center line (Rim Only)

LIGHTNING BALANCED ENGINE

MORRISON & MARVIN ENGINE WORKS

Box 555 Benton City, WA 99320 USA

Item Number	Quantity	Part Number	Part Name	Revision	Sheet Number
1	1	1C-1	Wheel Hub	1	101
2	12	1C-2	Front Spoke	1	102
3	24	1C-3	Swedge	1	102
4	1	1C-4	Front Rim	1	10

DESIGNED BY Roland Morrison / Marvin Hedberg		DESCRIPTION Front Wheel Assembly		
DRAWN BY Dave Otto	DATE 11-21-2015	MATERIAL	SIZE B	DWG NO.
SCALE		SHEET		REV 1
		10		